

## **Technical Bulletin – TBN-030**

**Product: LCV9 (CANTER)**

**Subject: FRONT AND REAR INNER WHEEL BEARINGS**

**Summary:**

**Brake Sets affected:-**

**65-0100 – Full brake set**

**Description:**

Inner Wheel Bearings (p/n 01-6027 - ID60 X OD95 X 23WIDE) supplied with brake sets shipped prior to September 2007 have incorrect radius (R2mm Max) on ID of cone (inner race) See fig 1.

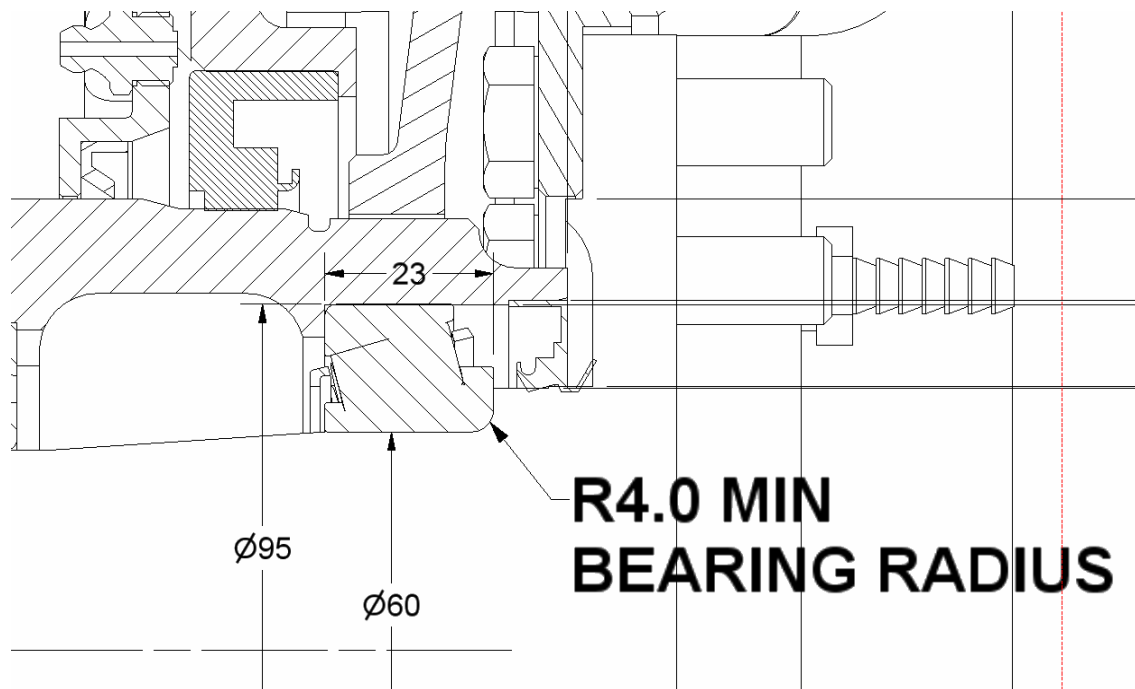
Remove incorrect bearings from brake set and discard, replace with Wheel Bearings supplied as supplementary kit which have a radius of R4mm (Min) on ID of cone (inner race) See fig 1

**Note:**

**Fit new inner Hub Seals provided in supplementary kit.**



**FIG 1**



**Prepared by: R Mc Dougall**  
**Approved by: A Miller (Engineering Manager)**  
**Issue Date: 21 Sept 07**  
**Issue Revision: 0**

Safe Effect Pty. Ltd.  
Unit 1, 3 McDonald Street West  
Osborne Park WA 6017  
AUSTRALIA  
PO Box 1177  
Osborne Park WA 6916

Tel: +61(08) 9273 4800  
Fax: +61 (08) 9201 9986  
Email: [info.perth@safefect.com](mailto:info.perth@safefect.com)  
Web: [www.safefect.com](http://www.safefect.com)

